



ARISTAIPC

ADM-1800AP Series

Datasheet Collection

www.aristaipc.com

Contents

Industrial Displays

Panel Mount Monitors

ADM-1806AP	03
ADM-1808AP	05
ADM-1810AP	07
ADM-1812AP	09
ADM-1815AP	11
ADM-1817AP	14
ADM-1818AP	17
ADM-1819AP	19
ADM-1821AP	22
ADM-1824AP	24



ADM-1806AP

Panel Mount 6.5-inch Resistive Touch Display

Features

- 6.5" LCD, 640 x 480 Resolution
- 5-Wire Resistive Touch or Tempered Glass
- RS-232, USB Touch Interface
- NEMA 4/4X Front Bezel
- Black Powder Coated or Stainless-Steel Bezel
- VGA, DVI Input
- 12VDC Operating Voltage

Specifications

Model Name	ADM-1806AP
LCD Display	
Display Size (Diagonal)	6.5"
Max Resolution	640 x 480
Backlight Lifetime (Hours)	50,000 hours
Visual Characteristics	
Colors	16.2 million
Aspect Ratio	4:3
Viewing Angle (V/H)	150° / 160°
Contrast Ratio	800:1
Brightness	500 nits (1000 nits* Very High Brightness Version)
Input Interface	
VGA	Yes
DVI	Yes
HDMI	N/A
Display Port	N/A
CVBS	N/A
YPbPr	N/A
Touchscreen	
Technology	5-Wire Resistive
Interface	RS-232, USB
Driver	Win XP, Win 7, Win10
Front Bezel	
NEMA 4	Black Powder Coated
NEMA 4X	Stainless Steel (Optional)
Power/Thermal Specs.	
Power Requirement (Max)	12VDC / 0.53A
Power Consumption (Max)	7 W
Recommended Power Supply	9 W
Heat Dissipation	22 BTU/hr
Physical Information	
Mounting	Panel Mount
Net Weight	4.4 lbs / 2 kg
Dimension (W x H x D)	8.5 x 6.20 x 1.98 inch 215.9 x 157.5 x 50.4 mm
Recommended Cutout Dimension (WxH)	7.69 x 5.37 inch 195.2 x 136.3 mm
Environmental	
Operating Temperature	0~50°C (32~122°F), * VHB Version 0~35°C (32~95°F)
Storage Temperature	-20~60°C (-4~140°F)
Humidity	5% to 95% (non-condensing)
Rating	Bezel Meets NEMA 4 / NEMA 4X requirements
Certification	CE, UL 508

Ordering Information

Item	ADM-1806AP-001	ADM-1806AP-Z01
LCD Display	6.5" LCD / 640 x 480	6.5" LCD / 640 x 480
Touch Screen	5-Wire	No Touch
Bezel	Black Powder Coated	Black Powder Coated
Power Supply	110/220VAC Power Adaptor	110/220VAC Power Adaptor

Item	ADM-1806AP-005	ADM-1806AP-Z05
LCD Display	6.5" LCD / 640 x 480	6.5" LCD / 640 x 480
Touch Screen	5-Wire	No Touch
Bezel	Stainless Steel	Stainless Steel
Power Supply	110/220VAC Power Adaptor	110/220VAC Power Adaptor



ADM-1808AP

Panel Mount 8.4-inch Resistive Touch Display

Features

- 8.4" LCD, 800 x 600 Resolution
- 5-Wire Resistive Touch or Tempered Glass
- RS-232, USB Touch Interface
- NEMA 4/4X Front Bezel
- Black Powder Coated or Stainless-Steel Bezel
- VGA, DVI Input
- 12VDC Operating Voltage

Specifications

Model Name	ADM-1808AP
LCD Display	
Display Size (Diagonal)	8.4"
Max Resolution	800 x 600
Backlight Lifetime (Hours)	50,000 hours
Visual Characteristics	
Colors	16.2 million
Aspect Ratio	4:3
Viewing Angle (V/H)	140° / 160°
Contrast Ratio	600:1
Brightness	450 nits (1000 nits* Very High Brightness Version)
Input Interface	
VGA	Yes
DVI	Yes
HDMI	N/A
Display Port	N/A
CVBS	N/A
YPbPr	N/A
Touchscreen	
Technology	5-Wire Resistive
Interface	RS-232, USB
Driver	Win XP, Win 7, Win10
Front Bezel	
NEMA 4	Black Powder Coated
NEMA 4X	Stainless Steel (Optional)
Power/Thermal Specs.	
Power Requirement (Max)	12VDC / 0.58A
Power Consumption (Max)	7 W
Recommended Power Supply	10 W
Heat Dissipation	24 BTU/hr
Physical Information	
Mounting	Panel Mount
Net Weight	6.6 lbs / 2.9 kg
Physical Dimension (W x H x D)	9.70 x 7.50 x 2.00 inch 246.4 x 190.5 x 50.9 mm
Recommended Cutout Dimension (WxH)	8.95 x 6.80 inch 227.2 x 172.6 mm
Environmental	
Operating Temperature	0~50°C (32~122°F), * VHB Version 0~35°C (32~95°F)
Storage Temperature	-20~60°C (-4~140°F)
Humidity	5% to 95% (non-condensing)
Rating	Bezel Meets NEMA 4 / NEMA 4X requirements
Certification	CE, UL 508

Ordering Information

Item	ADM-1808AP-001	ADM-1808AP-005
LCD Display	8.4" LCD / 800 x 600	8.4" LCD / 800 x 600
Touch Screen	5-Wire	5-Wire
Bezel	Black Powder Coated	Stainless Steel
Power Supply	110/220VAC Power Adaptor	110/220VAC Power Adaptor

Item	ADM-1808AP-Z01	ADM-1808AP-Z05
LCD Display	8.4" LCD / 800 x 600	8.4" LCD / 800 x 600
Touch Screen	No Touch	No Touch
Bezel	Black Powder Coated	Stainless Steel
Power Supply	110/220VAC Power Adaptor	110/220VAC Power Adaptor



ADM-1810AP

Panel Mount 10.4-inch Resistive Touch Display

Features

- 10.4" LCD, 800 x 600 Resolution
- 5-Wire Resistive Touch or Tempered Glass
- RS-232, USB Touch Interface
- NEMA 4/4X Front Bezel
- Black Powder Coated or Stainless-Steel Bezel
- VGA, DVI Input
- 12VDC Operating Voltage
- Very High Bright Option Available

Specifications

Model Name	ADM-1810AP
LCD Display	
Display Size (Diagonal)	10.4"
Max Resolution	800 x 600
Backlight Lifetime (Hours)	50,000 hours
Visual Characteristics	
Colors	16.2 million
Aspect Ratio	4:3
Viewing Angle (V/H)	140° / 170°
Contrast Ratio	700:1
Brightness	400 nits (1000 nits* Very High Brightness Version)
Input Interface	
VGA	Yes
DVI	Yes
HDMI	N/A
Display Port	N/A
CVBS	N/A
YPbPr	N/A
Touchscreen	
Technology	5-Wire Resistive
Interface	RS-232, USB
Driver	Win XP, Win 7, Win10
Front Bezel	
NEMA 4	Black Powder Coated
NEMA 4X	Stainless Steel (Optional)
Power/Thermal Specs.	
Power Requirement (Max)	12VDC / 0.70A
Power Consumption (Max)	9 W
Recommended Power Supply	12 W
Heat Dissipation	29 BTU/hr
Physical Information	
Mounting	Panel Mount
Net Weight	7.0 lbs / 3 kg
Dimension (W x H x D)	11.50 x 8.80 x 2.10 inch 292.1 x 223.5 x 53.3 mm
Recommended Cutout Dimension (WxH)	10.75 x 8.10 inch 273.1 x 205.7 mm
Environmental	
Operating Temperature	0~50°C (32~122°F), * VHB Version 0~35°C (32~95°F)
Storage Temperature	-20~60°C (-4~140°F)
Humidity	5%~95% (non-condensing)
Rating	Bezel Meets NEMA 4 / NEMA 4X requirements
Certification	CE, UL 508

Ordering Information

Item	ADM-1810AP-001	ADM-1810AP-Z01
LCD Display	10.4" LCD / 800 x 600	10.4" LCD / 800 x 600
Touch Screen	5-Wire	No Touch
Bezel	Black Powder Coated	Black Powder Coated
Power Supply	110/220VAC Power Adaptor	110/220VAC Power Adaptor

Item	ADM-1810AP-005	ADM-1810AP-Z05
LCD Display	10.4" LCD / 800 x 600	10.4" LCD / 800 x 600
Touch Screen	5-Wire	No Touch
Bezel	Stainless Steel	Stainless Steel
Power Supply	110/220VAC Power Adaptor	110/220VAC Power Adaptor



ADM-1812AP

Panel Mount 12.1-inch Resistive Touch Display

Features

- 12.1" LCD, 800 x 600 / 1024 x 768 Resolution
- 5-Wire Resistive Touch or Tempered Glass
- RS-232, USB Touch Interface
- NEMA 4/4X Front Bezel
- Black Powder Coated or Stainless-Steel Bezel
- VGA, DVI Input
- 12VDC Operating Voltage
- Very High Bright Option Available

Specifications

Model Name	ADM-1812AP
LCD Display	
Display Size (Diagonal)	12.1"
Max Resolution	800 x 600 1024 x 768 *See Ordering Information for details
Backlight Lifetime (Hours)	50,000 hours
Visual Characteristics	
Colors	16.2 million
Aspect Ratio	4:3
Viewing Angle (V/H)	140° / 160°
Contrast Ratio	700:1
Brightness	450 nits (1000 nits* Very High Brightness Version)
Input Interface	
VGA	Yes
DVI	Yes
HDMI	N/A
Display Port	N/A
CVBS	N/A
YPbPr	N/A
Touchscreen	
Technology	5-Wire Resistive
Interface	RS-232, USB
Driver	Win XP, Win 7, Win10
Front Bezel	
NEMA 4	Black Powder Coated
NEMA 4X	Stainless Steel (Optional)
Power/Thermal Specs.	
Power Requirement (Max)	12VDC / 0.47A
Power Consumption (Max)	6 W
Recommended Power Supply	8 W
Heat Dissipation	20 BTU/hr
Physical Information	
Mounting	Panel Mount
Net Weight	8.8 lbs / 4 kg
Dimension (W x H x D)	12.60 x 10.03 x 2.06 inch 320.0 x 254.8 x 52.4 mm
Recommended Cutout Dimension (WxH)	11.96 x 9.38 inch 303.8 x 238.3 mm
Environmental	
Operating Temperature	0~50°C (32~122°F), * VHB Version 0~35°C (32~95°F)
Storage Temperature	-20~60°C (-4~140°F)
Humidity	5% to 95% (non-condensing)
Rating	Bezel Meets NEMA 4 / NEMA 4X requirements
Certification	CE, UL 508

Ordering Information

Item	ADM-1812AP-001	ADM-1812AP-Z01
LCD Display	12.1" LCD / 800 x 600	12.1" LCD / 800 x 600
Touch Screen	5-Wire	No Touch
Bezel	Black Powder Coated	Black Powder Coated
Power Supply	110/220VAC Power Adaptor	110/220VAC Power Adaptor

Item	ADM-1812AP-005	ADM-1812AP-Z05
LCD Display	12.1" LCD / 800 x 600	12.1" LCD / 800 x 600
Touch Screen	5-Wire	No Touch
Bezel	Stainless Steel	Stainless Steel
Power Supply	110/220VAC Power Adaptor	110/220VAC Power Adaptor

Item	ADM-1812AP-A01-001	ADM-1812AP-A01-Z01
LCD Display	12.1" LCD / 1024 x 768	12.1" LCD / 1024 x 768
Touch Screen	5-Wire	No Touch
Bezel	Black Powder Coated	Black Powder Coated
Power Supply	110/220VAC Power Adaptor	110/220VAC Power Adaptor

Item	ADM-1812AP-A01-005	ADM-1812AP-A01-Z05
LCD Display	12.1" LCD / 1024 x 768	12.1" LCD / 1024 x 768
Touch Screen	5-Wire	No Touch
Bezel	Stainless Steel	Stainless Steel
Power Supply	110/220VAC Power Adaptor	110/220VAC Power Adaptor



ADM-1815AP

Panel Mount 15-inch Resistive Touch Display

Features

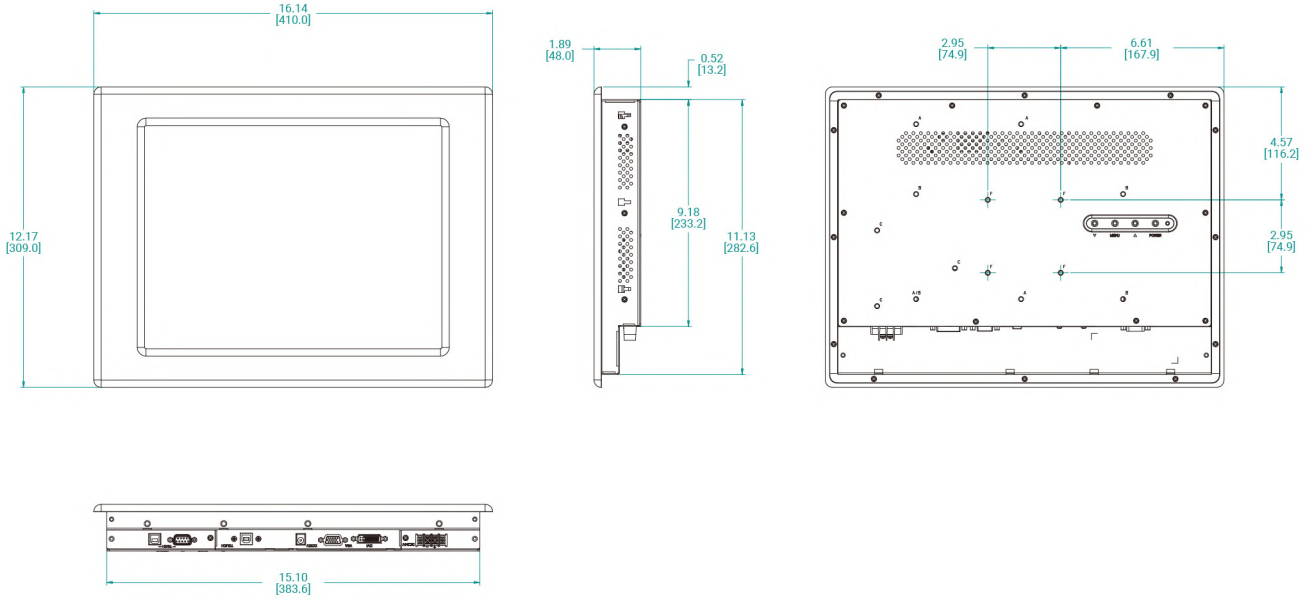
- 15" LCD, 1024 x 768 Resolution
- 5-Wire Resistive Touch or Tempered Glass
- RS-232, USB Touch Interface
- NEMA 4/4X Front Bezel
- Black Powder Coated or Stainless-Steel Bezel
- VGA, DVI Input
- 12VDC Operating Voltage
- Very High Bright Option Available

Specifications

Model Name	ADM-1815AP
LCD Display	
Display Size (Diagonal)	15"
Max Resolution	1024 x 768
Backlight Lifetime (Hours)	50,000 hours
Visual Characteristics	
Colors	16.7 million
Aspect Ratio	4:3
Viewing Angle (V/H)	140° / 160°
Contrast Ratio	700:1
Brightness	300 nits (1000 nits* Very High Brightness Version)
Input Interface	
VGA	Yes
DVI	Yes
HDMI	N/A
Display Port	N/A
CVBS	N/A
YPbPr	N/A
Touchscreen	
Technology	5-Wire Resistive
Interface	RS-232, USB
Driver	Win XP, Win 7, Win10
Front Bezel	
NEMA 4	Black Powder Coated
NEMA 4X	Stainless Steel (Optional)
Power/Thermal Specs.	
Power Requirement (Max)	12VDC / 0.88A, 24VDC / 0.44A
Power Consumption (Max)	11 W
Recommended Power Supply	15 W
Heat Dissipation	36 BTU/hr
Physical Information	
Mounting	Panel Mount
Net Weight	11 lbs / 4.98 kg
Dimension (W x H x D)	14.51 x 11.80 x 1.89(*3.22) inch 368.6 x 299.8 x 48.0(*81.9) mm (*depth including power adaptor)
Recommended Cutout Dimension (WxH)	13.76 x 11.13 inch 349.5 x 282.7 mm
Environmental	
Operating Temperature	0~50°C (32~122°F), * VHB Version 0~35°C (32~95°F)
Storage Temperature	-20~60°C (-4~140°F)
Humidity	5% to 95% (non-condensing)
Rating	Bezel Meets NEMA 4 / NEMA 4X requirements
Certification	CE, UL 508

Dimension Drawing

Model Name: ADM-1815AP
 Size Unit: inch(mm)



Ordering Information

Item	ADM-1815AP-000	ADM-1815AP-001
LCD Display	15" LCD / 1024 x 768	15" LCD / 1024 x 768
Touch Screen	5-Wire	5-Wire
Bezel	Black Powder Coated	Black Powder Coated
Power Supply	24VDC Input	110/220VAC Power Adaptor

Item	ADM-1815AP-Z00	ADM-1815AP-Z01
LCD Display	15" LCD / 1024 x 768	15" LCD / 1024 x 768
Touch Screen	No Touch	No Touch
Bezel	Black Powder Coated	Black Powder Coated
Power Supply	24VDC Input	110/220VAC Power Adaptor

Item	ADM-1815AP-004	ADM-1815AP-005
LCD Display	15" LCD / 1024 x 768	15" LCD / 1024 x 768
Touch Screen	5-Wire	5-Wire
Bezel	Stainless Steel	Stainless Steel
Power Supply	24VDC Input	110/220VAC Power Adaptor

Item	ADM-1815AP-Z04	ADM-1815AP-Z05
LCD Display	15" LCD / 1024 x 768	15" LCD / 1024 x 768
Touch Screen	No Touch	No Touch
Bezel	Stainless Steel	Stainless Steel
Power Supply	24VDC Input	110/220VAC Power Adaptor



ADM-1817AP

Panel Mount 17-inch Resistive Touch Display

Features

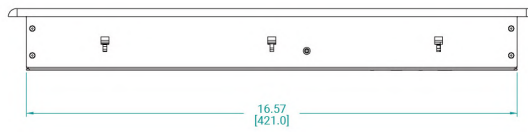
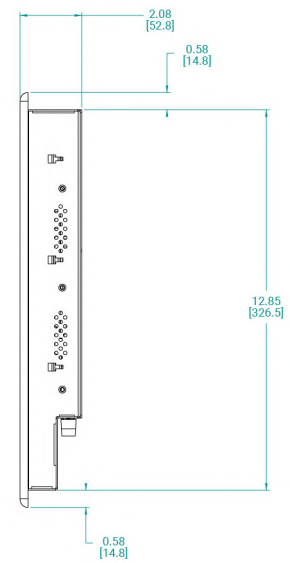
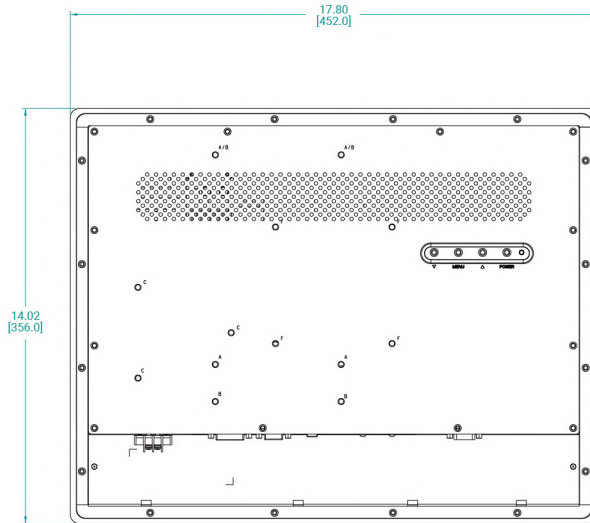
- 17" LCD, 1280 x 1024 Resolution
- 5-Wire Resistive Touch or Tempered Glass
- RS-232, USB Touch Interface
- NEMA 4/4X Front Bezel
- Black Powder Coated or Stainless-Steel Bezel
- VGA, DVI Input
- 12VDC Operating Voltage
- Very High Bright Option Available

Specifications

Model Name	ADM-1817AP
LCD Display	
Display Size (Diagonal)	17"
Max Resolution	1280 x 1024
Backlight Lifetime (Hours)	50,000 hours
Visual Characteristics	
Colors	16.7 million
Aspect Ratio	5:4
Viewing Angle (V/H)	140° / 160°
Contrast Ratio	800:1
Brightness	350 nits (1000 nits* Very High Brightness Version)
Input Interface	
VGA	Yes
DVI	Yes
HDMI	N/A
Display Port	N/A
CVBS	N/A
YPbPr	N/A
Touchscreen	
Technology	5-Wire Resistive
Interface	RS-232, USB
Driver	Win XP, Win 7, Win10
Front Bezel	
NEMA 4	Black Powder Coated
NEMA 4X	Stainless Steel (Optional)
Power/Thermal Specs.	
Power Requirement (Max)	12VDC / 1.05A, 24VDC / 0.53A
Power Consumption (Max)	13 W
Recommended Power Supply	18 W
Heat Dissipation	43 BTU/hr
Physical Information	
Mounting	Panel Mount
Net Weight	14 lbs / 6.35 kg
Dimension (W x H x D)	15.88 x 13.34 x 2.08(*3.42) inch 403.4 x 338.8 x 52.8(*86.9) mm (*depth including power adaptor)
Recommended Cutout Dimension (WxH)	15.05 x 12.51 inch 382.3 x 317.8 mm
Environmental	
Operating Temperature	0~50°C (32~122°F), * VHB Version 0~35°C (32~95°F)
Storage Temperature	-20~60°C (-4~140°F)
Humidity	5% to 95% (non-condensing)
Rating	Bezel Meets NEMA 4 / NEMA 4X requirements
Certification	CE, UL 508

Dimension Drawing

Model Name: ADM-1817AP
Size Unit: inch(mm)



Ordering Information

Item	ADM-1817AP-000	ADM-1817AP-001
LCD Display	17" LCD / 1280 x 1024	17" LCD / 1280 x 1024
Touch Screen	5-Wire	5-Wire
Bezel	Black Powder Coated	Black Powder Coated
Power Supply	24VDC Input	110/220VAC Power Adaptor

Item	ADM-1817AP-Z00	ADM-1817AP-Z01
LCD Display	17" LCD / 1280 x 1024	17" LCD / 1280 x 1024
Touch Screen	No Touch	No Touch
Bezel	Black Powder Coated	Black Powder Coated
Power Supply	24VDC Input	110/220VAC Power Adaptor

Item	ADM-1817AP-004	ADM-1817AP-005
LCD Display	17" LCD / 1280 x 1024	17" LCD / 1280 x 1024
Touch Screen	5-Wire	5-Wire
Bezel	Stainless Steel	Stainless Steel
Power Supply	24VDC Input	110/220VAC Power Adaptor

Item	ADM-1817AP-Z04	ADM-1817AP-Z05
LCD Display	17" LCD / 1280 x 1024	17" LCD / 1280 x 1024
Touch Screen	No Touch	No Touch
Bezel	Stainless Steel	Stainless Steel
Power Supply	24VDC Input	110/220VAC Power Adaptor



ADM-1818AP

Panel Mount 18.5-inch Resistive Touch Display

Features

- 18.5" LCD, 1366 x 768/ 1920 x 1080
- 5-Wire Resistive Touch or Tempered Glass
- RS-232, USB Touch Interface
- NEMA 4/4X Front Bezel
- Black Powder Coated or Stainless-Steel Bezel
- VGA, DVI Input
- 12VDC Operating Voltage
- Very High Bright Option Available

Specifications

Model Name	ADM-1818AP
LCD Display	
Display Size (Diagonal)	18.5"
Max Resolution	1366 x 768 1920 x 1080 *See Ordering Information for details
Backlight Lifetime (Hours)	50,000 hours
Visual Characteristics	
Colors	16.7 million
Aspect Ratio	16:9
Viewing Angle (V/H)	178° / 178°
Contrast Ratio	1000:1
Brightness	350 nits (1000 nits* Very High Brightness Version)
Input Interface	
VGA	x 1
DVI	x 1
HDMI	N/A
Display Port	N/A
CVBS	N/A
YPbPr	N/A
Touchscreen	
Technology	5-Wire Resistive
Interface	RS-232, USB
Driver	Win XP, Win 7, Win10
Front Bezel	
NEMA 4	Black Powder Coated
NEMA 4X	Stainless Steel (Optional)
Power/Thermal Specs.	
Power Requirement (Max)	12VDC / 0.80A
Power Consumption (Max)	9.8 W
Recommended Power Supply	14 W
Heat Dissipation	34 BTU/hr
Physical Information	
Mounting	Panel Mount
Net Weight	17.6 lbs / 8 kg
Dimension (W x H x D)	19.00 x 12.21 x 1.93 inch 482.6 x 310.1 x 49.0 mm
Recommended Cutout Dimension (WxH)	17.41 x 11.00 inch 442.2 x 279.4 mm
Environmental	
Operating Temperature	0~50°C (32~122°F), * VHB Version 0~35°C (32~95°F)
Storage Temperature	-20~60°C (-4~140°F)
Humidity	5% to 95% (non-condensing)
Rating	Bezel Meets NEMA 4 / NEMA 4X requirements
Certification	CE, UL 508

Ordering Information

Item	ADM-1818AP-000	ADM-1818AP-001	ADM-1818AP-Z00	ADM-1818AP-Z01
LCD Display	18.5" LCD / 1366 x 768	18.5" LCD / 1366 x 768	18.5" LCD / 1366 x 768	18.5" LCD / 1366 x 768
Touch Screen	5-Wire	5-Wire	No Touch	No Touch
Bezel	Black Powder Coated	Black Powder Coated	Black Powder Coated	Black Powder Coated
Power Supply	24VDC Input	110/220VAC Power Adaptor	24VDC Input	110/220VAC Power Adaptor

Item	ADM-1818AP-004	ADM-1818AP-005	ADM-1818AP-Z04	ADM-1818AP-Z05
LCD Display	18.5" LCD / 1366 x 768	18.5" LCD / 1366 x 768	18.5" LCD / 1366 x 768	18.5" LCD / 1366 x 768
Touch Screen	5-Wire	5-Wire	No Touch	No Touch
Bezel	Stainless Steel	Stainless Steel	Stainless Steel	Stainless Steel
Power Supply	24VDC Input	110/220VAC Power Adaptor	24VDC Input	110/220VAC Power Adaptor

Item	ADM-1818AP-A01-000	ADM-1818AP-A01-001	ADM-1818AP-A01-Z00	ADM-1818AP-A01-Z01
LCD Display	18.5" LCD / 1920 x 1080	18.5" LCD / 1920 x 1080	18.5" LCD / 1920 x 1080	18.5" LCD / 1920 x 1080
Touch Screen	5-Wire	5-Wire	No Touch	No Touch
Bezel	Black Powder Coated	Black Powder Coated	Black Powder Coated	Black Powder Coated
Power Supply	24VDC Input	110/220VAC Power Adaptor	24VDC Input	110/220VAC Power Adaptor

Item	ADM-1818AP-A01-004	ADM-1818AP-A01-005	ADM-1818AP-A01-Z04	ADM-1818AP-A01-Z05
LCD Display	18.5" LCD / 1920 x 1080	18.5" LCD / 1920 x 1080	18.5" LCD / 1920 x 1080	18.5" LCD / 1920 x 1080
Touch Screen	5-Wire	5-Wire	No Touch	No Touch
Bezel	Stainless Steel	Stainless Steel	Stainless Steel	Stainless Steel
Power Supply	24VDC Input	110/220VAC Power Adaptor	24VDC Input	110/220VAC Power Adaptor



ADM-1819AP

Panel Mount 19-inch Resistive Touch Display

Features

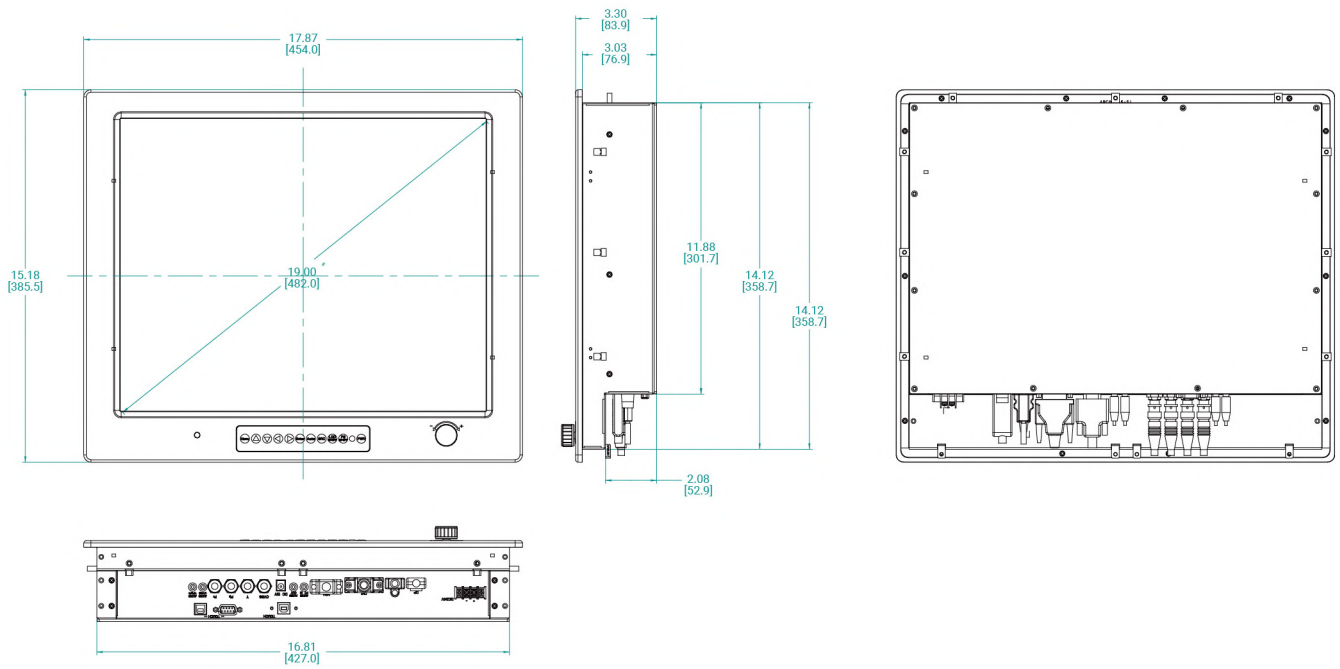
- 19" LCD, x 1024 Resolution
- 5-Wire Resistive Touch or Tempered Glass
- RS-232, USB Touch Interface
- NEMA 4/4X Front Bezel
- Black Powder Coated or Stainless-Steel Bezel
- VGA, DVI, HDMI, DP Input
- 24VDC Operating Voltage
- Very High Bright Option Av 1280 aailable

Specifications

Model Name	ADM-1819AP
LCD Display	
Display Size (Diagonal)	19"
Max Resolution	1280 x 1024
Backlight Lifetime (Hours)	50,000 hours
Visual Characteristics	
Colors	16 million
Aspect Ratio	5:4
Viewing Angle (V/H)	178° / 178°
Contrast Ratio	700:1
Brightness	450 nits (1000 nits* Very High Brightness Version)
Input Interface	
VGA	Yes
DVI	Yes
HDMI	Yes
Display Port	Yes
CVBS	N/A
YPbPr	N/A
Touchscreen	
Technology	5-Wire Resistive
Interface	RS-232, USB
Driver	Win XP, Win 7, Win10
Front Bezel	
NEMA 4	Black Powder Coated
NEMA 4X	Stainless Steel (Optional)
Power/Thermal Specs.	
Power Requirement (Max)	24VDC / 0.53A
Power Consumption (Max)	12.6 W
Recommended Power Supply	18 W
Heat Dissipation	43 BTU/hr
Physical Information	
Mounting	Panel Mount
Net Weight	17 lbs / 7.71 kg
Dimension (W x H x D)	17.80 x 14.60 x 2.39(*3.72) inch 452.1 x 370.8 x 60.7(*94.5) mm (*depth including power adaptor)
Recommended Cutout Dimension (WxH)	17.00 x 13.81 inch 432.0 x 351 mm
Environmental	
Operating Temperature	0~50°C (32~122°F), * VHB Version 0~35°C (32~95°F)
Storage Temperature	-20~60°C (-4~140°F)
Humidity	5% to 95% (non-condensing)
Rating	Bezel Meets NEMA 4 / NEMA 4X requirements
Certification	CE, UL 508

Dimension Drawing

Model Name: ADM-1819AP
 Size Unit: inch(mm)



Ordering Information

Item	ADM-1819AP-000	ADM-1819AP-001
LCD Display	19" LCD / 1280 x 1024	19" LCD / 1280 x 1024
Touch Screen	5-Wire	5-Wire
Bezel	Black Powder Coated	Black Powder Coated
Power Supply	24VDC Input	110/220VAC Power Adaptor

Item	ADM-1819AP-004	ADM-1819AP-005
LCD Display	19" LCD / 1280 x 1024	19" LCD / 1280 x 1024
Touch Screen	5-Wire	5-Wire
Bezel	Stainless Steel	Stainless Steel
Power Supply	24VDC Input	110/220VAC Power Adaptor

Item	ADM-1819AP-Z00	ADM-1819AP-Z01
LCD Display	19" LCD / 1280 x 1024	19" LCD / 1280 x 1024
Touch Screen	No Touch	No Touch
Bezel	Black Powder Coated	Black Powder Coated
Power Supply	24VDC Input	110/220VAC Power Adaptor

Item	ADM-1819AP-Z04	ADM-1819AP-Z05
LCD Display	19" LCD / 1280 x 1024	19" LCD / 1280 x 1024
Touch Screen	No Touch	No Touch
Bezel	Stainless Steel	Stainless Steel
Power Supply	24VDC Input	110/220VAC Power Adaptor



ADM-1821AP

Panel Mount 21.5-inch Resistive Touch Display

Features

- 21.5" LCD, 1920 x 1080 Resolution
- 5-Wire Resistive Touch or Tempered Glass
- RS-232, USB Touch Interface
- NEMA 4/4X Front Bezel
- Black Powder Coated or Stainless-Steel Bezel
- VGA, DVI, HDMI, DP Input
- 24VDC Operating Voltage
- Very High Bright Option Available

Specifications

Model Name	ADM-1821AP
LCD Display	
Display Size (Diagonal)	21.5"
Max Resolution	1920 x 1080
Backlight Lifetime (Hours)	50,000 hours
Visual Characteristics	
Colors	16.7 million
Aspect Ratio	16:9
Viewing Angle (V/H)	178° / 178°
Contrast Ratio	1000:1
Brightness	250 nits (Very High Brightness Version: 1000 nits)
Input Interface	
VGA	Yes
DVI	Yes
HDMI	Yes
Display Port	Yes
CVBS	N/A
YPbPr	N/A
Touchscreen	
Technology	5-Wire Resistive
Interface	RS-232, USB
Driver	Win XP, Win 7, Win10
Front Bezel	
NEMA 4	Black Powder Coated
NEMA 4X	Stainless Steel (Optional)
Power/Thermal Specs.	
Power Requirement (Max)	24VDC / 0.61A
Power Consumption (Max)	15 W
Recommended Power Supply	21 W
Heat Dissipation	51 BTU/hr
Physical Information	
Mounting	Panel Mount
Net Weight	20 lbs / 9.07 kg
Dimension (W x H x D)	20.98 x 12.99 x 2.00 inch 533.0 x 330.0 x 50.8 mm
Recommended Cutout Dimension (WxH)	19.92 x 12.35 inch 506.0 x 313.7 mm
Environmental	
Operating Temperature	0~50°C (32~122°F), * VHB Version 0~35°C (32~95°F)
Storage Temperature	-20~60°C (-4~140°F)
Humidity	5% to 95% (non-condensing)
Rating	Bezel Meets NEMA 4 / NEMA 4X requirements
Certification	CE, UL 508

Ordering Information

Item	ADM-1821AP-000	ADM-1821AP-001
LCD Display	21.5" LCD / 1920 x 1080	21.5" LCD / 1920 x 1080
Touch Screen	5-Wire	5-Wire
Bezel	Black Powder Coated	Black Powder Coated
Power Supply	24VDC Input	110/220VAC Power Adaptor

Item	ADM-1821AP-004	ADM-1821AP-005
LCD Display	21.5" LCD / 1920 x 1080	21.5" LCD / 1920 x 1080
Touch Screen	5-Wire	5-Wire
Bezel	Stainless Steel	Stainless Steel
Power Supply	24VDC Input	110/220VAC Power Adaptor

Item	ADM-1821AP-Z00	ADM-1821AP-Z01
LCD Display	21.5" LCD / 1920 x 1080	21.5" LCD / 1920 x 1080
Touch Screen	No Touch	No Touch
Bezel	Black Powder Coated	Black Powder Coated
Power Supply	24VDC Input	110/220VAC Power Adaptor

Item	ADM-1821AP-Z04	ADM-1821AP-Z05
LCD Display	21.5" LCD / 1920 x 1080	21.5" LCD / 1920 x 1080
Touch Screen	No Touch	No Touch
Bezel	Stainless Steel	Stainless Steel
Power Supply	24VDC Input	110/220VAC Power Adaptor



ADM-1824AP

Panel Mount 24-inch Resistive Touch Display

Features

- 24" LCD, 1920 x 1080 Resolution
- 5-Wire Resistive Touch or Tempered Glass
- RS-232, USB Touch Interface
- NEMA 4/4X Front Bezel
- Black Powder Coated or Stainless-Steel Bezel
- VGA, DVI, HDMI, DP Input
- 24VDC Operating Voltage
- Very High Bright Option Available

Specifications

Model Name	ADM-1824AP
LCD Display	
Display Size (Diagonal)	24"
Max Resolution	1920 x 1080
Backlight Lifetime (Hours)	50,000 hours
Visual Characteristics	
Colors	16.7 million
Aspect Ratio	16:9
Viewing Angle (V/H)	178° / 178°
Contrast Ratio	5000:1
Brightness	250 nits (1000 nits* Very High Brightness Version)
Input Interface	
VGA	Yes
DVI	Yes
HDMI	Yes
Display Port	Yes
CVBS	N/A
YPbPr	N/A
Touchscreen	
Technology	5-Wire Resistive
Interface	RS-232, USB
Driver	Win XP, Win 7, Win10
Front Bezel	
NEMA 4	Black Powder Coated
NEMA 4X	Stainless Steel (Optional)
Power/Thermal Specs.	
Power Requirement (Max)	24VDC / 0.88A
Power Consumption (Max)	21 W
Recommended Power Supply	30 W
Heat Dissipation	72 BTU/hr
Physical Information	
Mounting	Panel Mount
Net Weight	20 lbs / 9.07 kg
Dimension (W x H x D)	23.91 x 14.50 x 1.81 inch 607.3 x 368.3 x 46.1 mm
Recommended Cutout Dimension (WxH)	23.22 x 13.80 inch 589.8 x 350.5 mm
Environmental	
Operating Temperature	0~50°C (32~122°F), * VHB Version 0~35°C (32~95°F)
Storage Temperature	-20~60°C (-4~140°F)
Humidity	5% to 95% (non-condensing)
Rating	Bezel Meets NEMA 4 / NEMA 4X requirements
Certification	CE, UL 508

Ordering Information

Item	ADM-1824AP-000	ADM-1824AP-001
LCD Display	24" LCD / 1920 x 1080	24" LCD / 1920 x 1080
Touch Screen	5-Wire	5-Wire
Bezel	Black Powder Coated	Black Powder Coated
Power Supply	24VDC Input	110/220VAC Power Adaptor

Item	ADM-1824AP-004	ADM-1824AP-005
LCD Display	24" LCD / 1920 x 1080	24" LCD / 1920 x 1080
Touch Screen	5-Wire	5-Wire
Bezel	Stainless Steel	Stainless Steel
Power Supply	24VDC Input	110/220VAC Power Adaptor

Item	ADM-1824AP-Z00	ADM-1824AP-Z01
LCD Display	24" LCD / 1920 x 1080	24" LCD / 1920 x 1080
Touch Screen	No Touch	No Touch
Bezel	Black Powder Coated	Black Powder Coated
Power Supply	24VDC Input	110/220VAC Power Adaptor

Item	ADM-1824AP-Z04	ADM-1824AP-Z05
LCD Display	24" LCD / 1920 x 1080	24" LCD / 1920 x 1080
Touch Screen	No Touch	No Touch
Bezel	Stainless Steel	Stainless Steel
Power Supply	24VDC Input	110/220VAC Power Adaptor



ARISTA Corporation (USA)

 40675 Encyclopedia Circle, Fremont, CA 94538.

 Phone : +1-510-226-1800  eFax : 510-405-8437

 sales@goarista.com  www.aristaipc.com